



160 oz Pathology Container

Product Code: 0490-1100



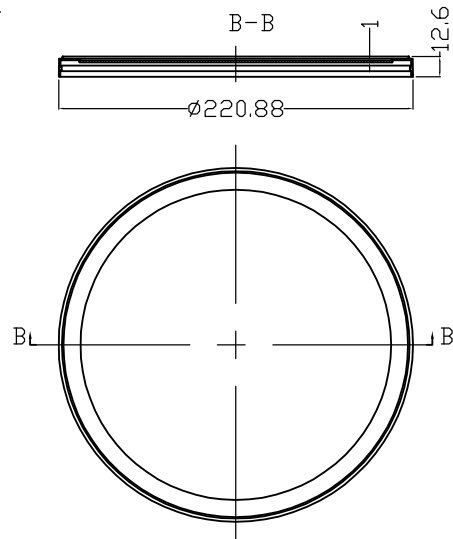
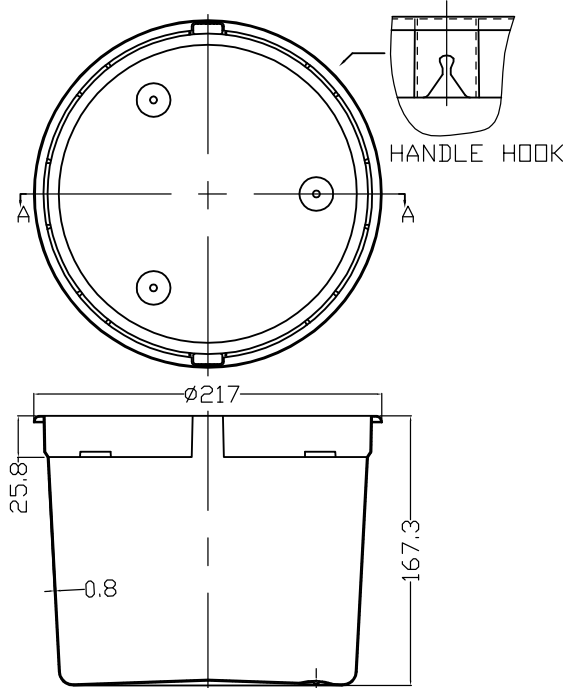
General Description

- Color: Translucent
 Body Diameter: 217 mm
 Body Height: 167.3 mm
- Snap-on lid creates secure seal
 - Shatter-resistant, translucent body allows for easy viewing

Material:

HDPE, FDA Certified
 Country of Origin: China
Product is recyclable

- Case: 25 pc/case
 Packaged: 25 Bagged
 Case Dimensions: 17.75 x 17.75 x 14.50"
 Case Weight: 11.15 lbs
 Cube Dimension: 2.64
 Cases per Skid: 24



Manufactured by Oak Ridge Products, LLC
 FDA Manufacturing Facility Registration
 #1419823 & 3006060667

Product dimensions listed are in millimeters

OAK RIDGE PRODUCTS, LLC.
 ALL RIGHTS RESERVED

US: 888-650-7444 INT'L: 001-815-363-4700
 WWW.OAKRIDGEPRODUCTS.COM

REV. 1/10/14